



Q-CBL-07-07-CH02B V1

Pixel Light (Beijing) Technology Co., Ltd.

**CAMERA HUB**

DATA SHEET

Model : CH02B

Version: V1

June 10, 2024

<b>Application</b>	Camera power supply and trigger control. For photogrammetry scanning system use.
<b>Certificate</b>	CE, RoHS, CSA Special inspection (upon request)
<b>Power Input</b>	
Voltage Range	100 ~ 240VAC
Frequency Range	50/60Hz
AC Current (Typ)	1.7A/115VAC 0.9A/230VAC
Inrush Current (Typ)	35A/115VAC 70A/230VAC
Fuse	T6.3A 250VAC 5x20mm
Power entry style	IEC 320-C14. Mating plug: IEC 320-C13
<b>Power Output</b>	
Channels	8
Voltage	DC 8V (no load), 6.8 ~ 9V adjustable
Rated Current	1.85A/channel
Power Connectors	CONN PWR JACK 1.4X4.3X6.5MM, central pin positive. Mating plug: PP-016 (CUI Inc.)
Remote ON/OFF Control	Pwr Ctrl Link, two 3.5mm stereo jacks. Mating plug: 3.5mm stereo plug. Tips: RC+, Sleeves: RC- RC+ / RC-: 4 ~ 10V or open = power on ; 0 ~ 0.8V or short = power off.
<b>Power output protection</b>	
Overload	Resettable Fuse, Trip Range 1.85 ~ 3.7A/Channel. Recovers after fault condition is removed and repowered.
Overvoltage	9.4 ~ 10.9V rated output power. Protection type: Shut down o/p voltage, re-power on to recover.
Over temperature	Shut down o/p voltage, recovers automatically after temperature goes down.
<b>Trigger</b>	See Fig 1
Trigger Link	Two 2.5mm stereo jacks. Mating plug: 2.5mm stereo plug.
Trigger Output Ports	Eight 3.5mm stereo jacks, diode isolated. Mating plug: 3.5mm stereo plug.
<b>Environment</b>	
Working Temp.	-10 ~ 50° C
Working Humidity	20 ~ 90%RH non-condensing
Storage Temp., Humidity	-40 ~ 85° C, 10 ~ 95%RH
Vibration	10~500Hz, 2G 10min./1 cycle, 60min. each along X, Y, Z axes
<b>Temperature and input voltage derating</b>	See Fig 2
<b>Dimension</b>	See Fig 3 ~ Fig 6

<b>Weight</b>	1.8Kg
---------------	-------

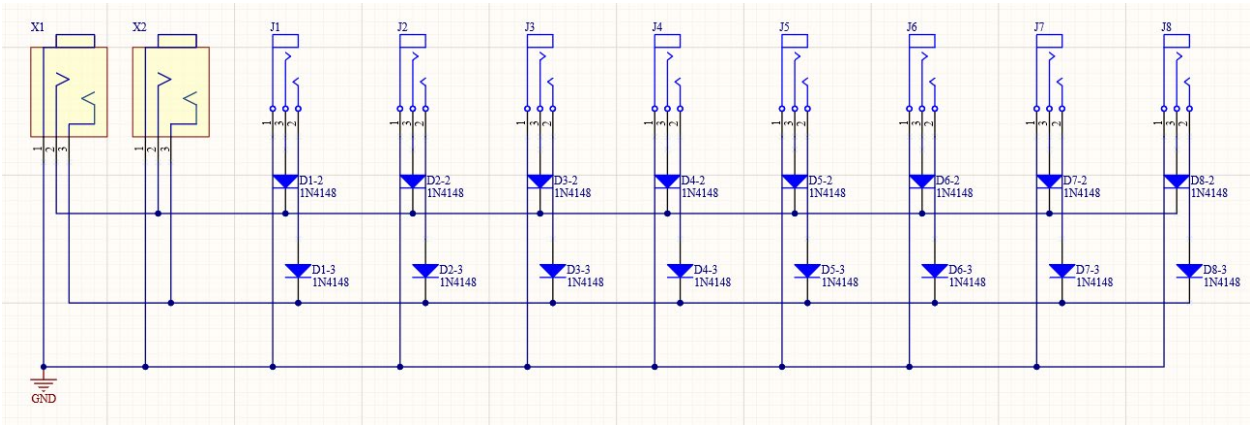
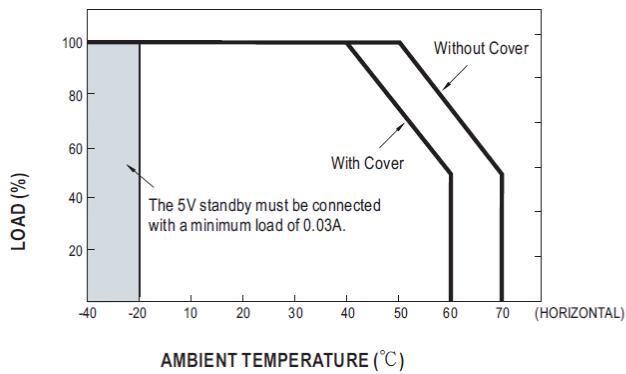


Fig 1 Schematic of Trigger port

**Derating Curve**



**Output Derating VS Input Voltage**

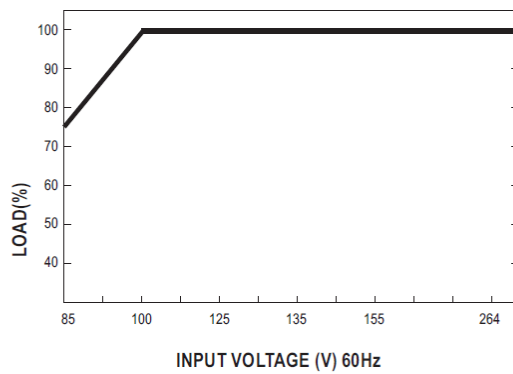


Fig 2 Temperature and input voltage derating curve



Fig 3



Fig 4

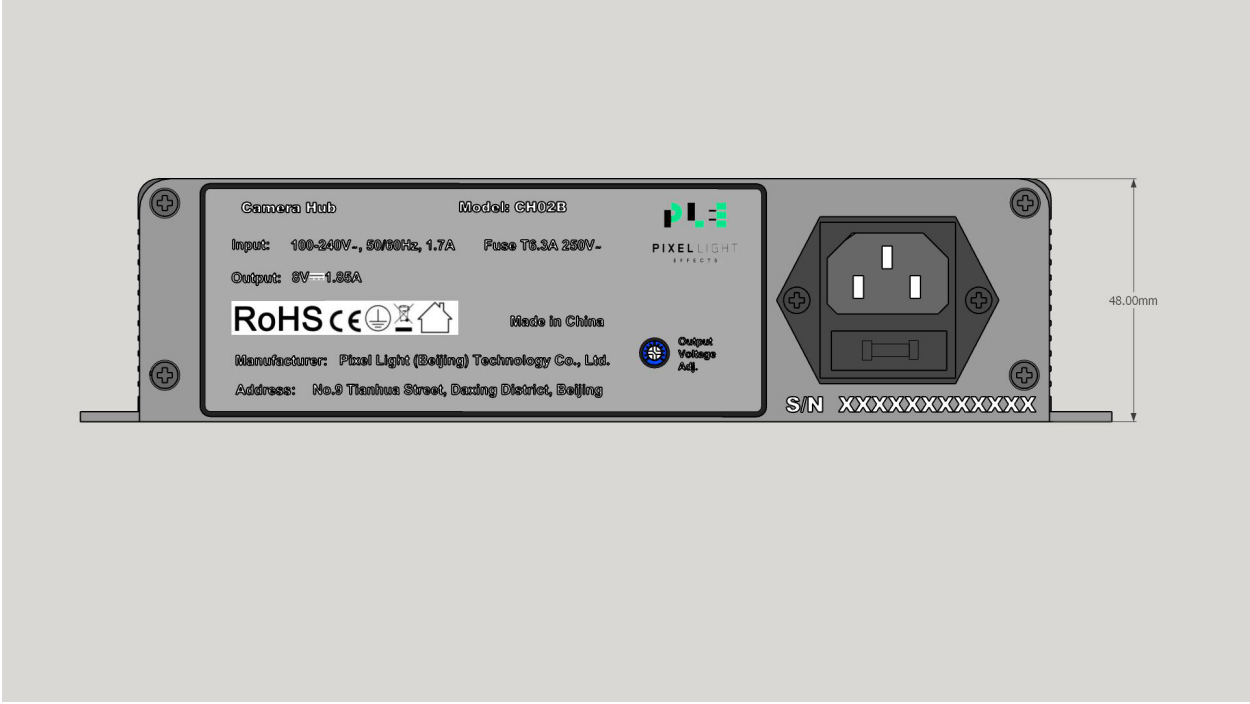


Fig 5

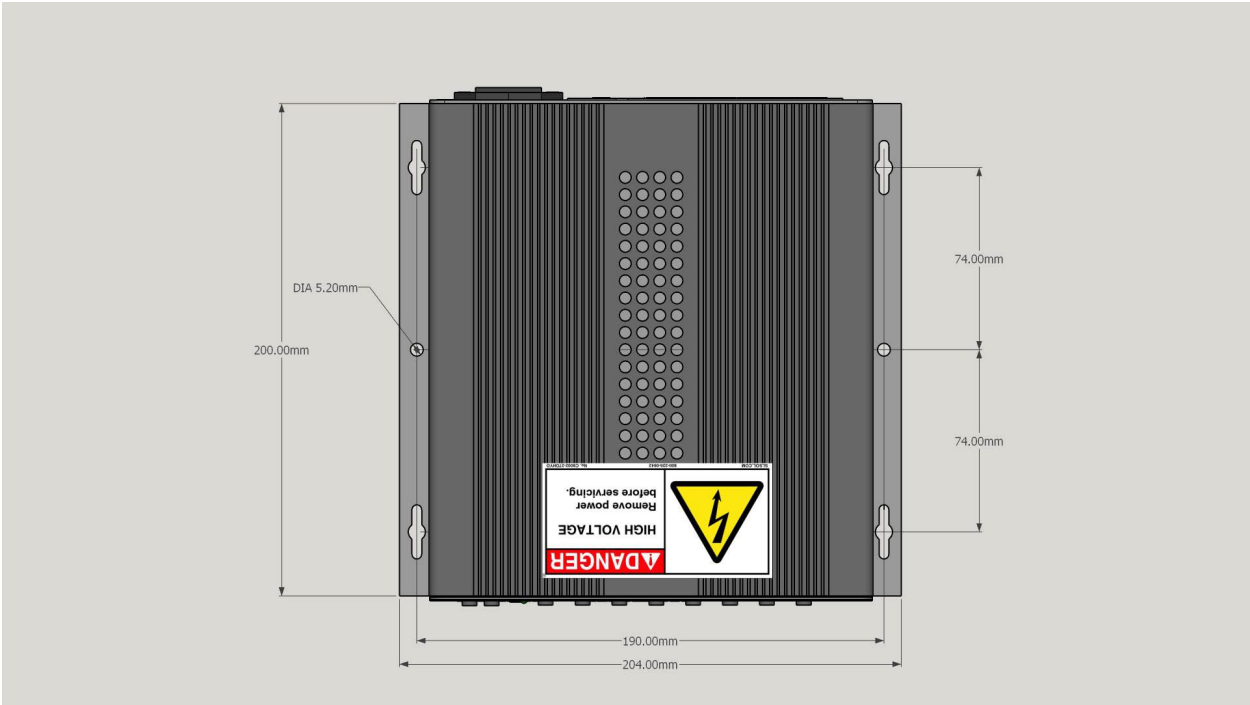


Fig 6